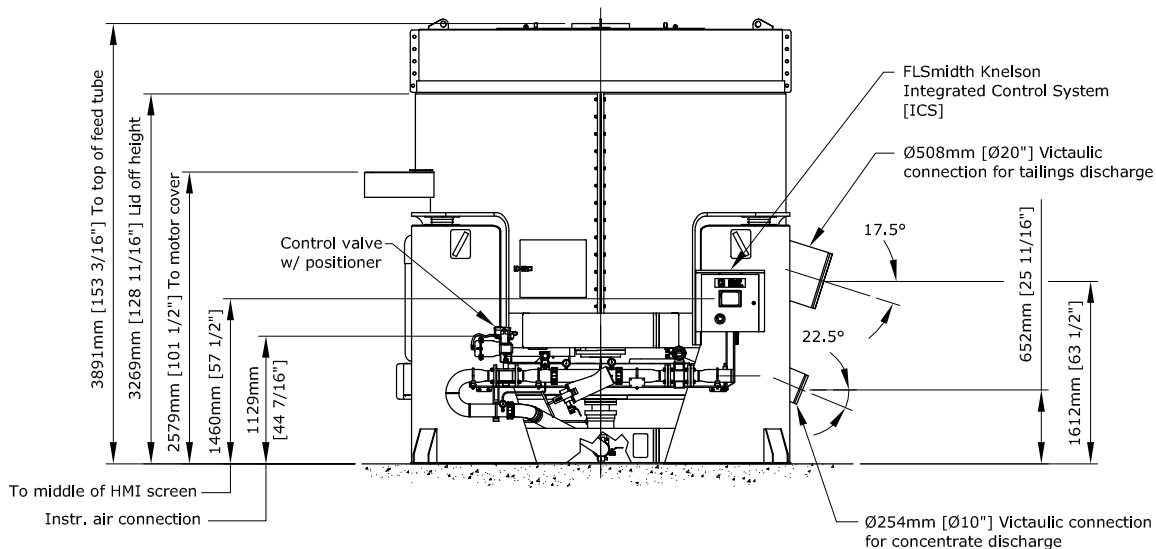
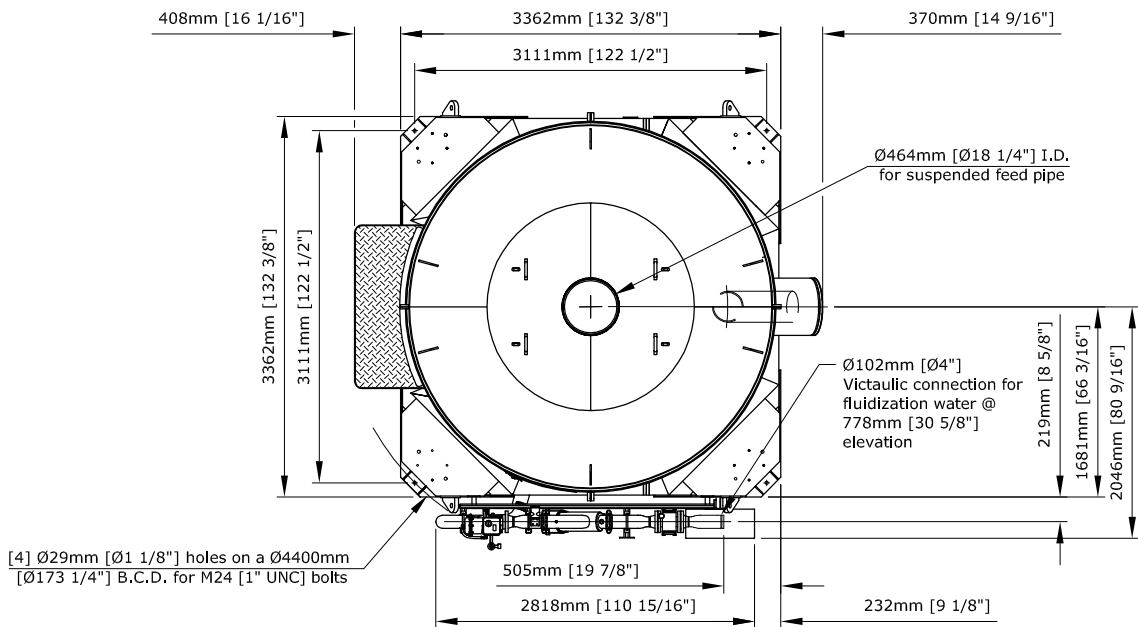


**Knelson Concentrator Model  
 KC-XD70  
 Specification Sheet**

|  |  |
|--|--|
| Maximum Feed Capacity                        | - 1000 tonnes/hr solids  |
| Maximum Total Volumetric Throughput          | - 1360m <sup>3</sup> /hr (6000USgpm)                             |
| Feed Size                                    | - Maximum: 6mm; Recommended: 2mm                                 |
| Feed Density                                 | - 0 - 75% Solids by weight                                       |
| Minimum Air Flow Required (Auto Piping Only) | - 5.1m <sup>3</sup> /hr (3ft <sup>3</sup> /min) @ 600kPa (90psi) |
| Concentrator Installation Weight             | - 18455kg (40600lbs)   |
| Motor  | - 150 - 375kW (200 - 500HP) - Electric                           |

| Cone Style | Fluidization Water<br>m <sup>3</sup> /hr (USgpm) | Concentrate Weight<br>kg (lb) | G-Force Range<br>G's |
|------------|--|-------------------------------|----------------------|
| G5         | 68 (300) - 86 (380)                              | 95 (209) - 125 (275)          | 60 - 120             |

\*For G6/G7 cones consult FLSmidth Knelson



Note:  
 - Specifications subject to change without notice.  
 - All piping to concentrator to be flexible to allow for slight oscillation of unit during operation.  
 - Consult FLSmidth Knelson for more detailed operating parameters for your specific application.